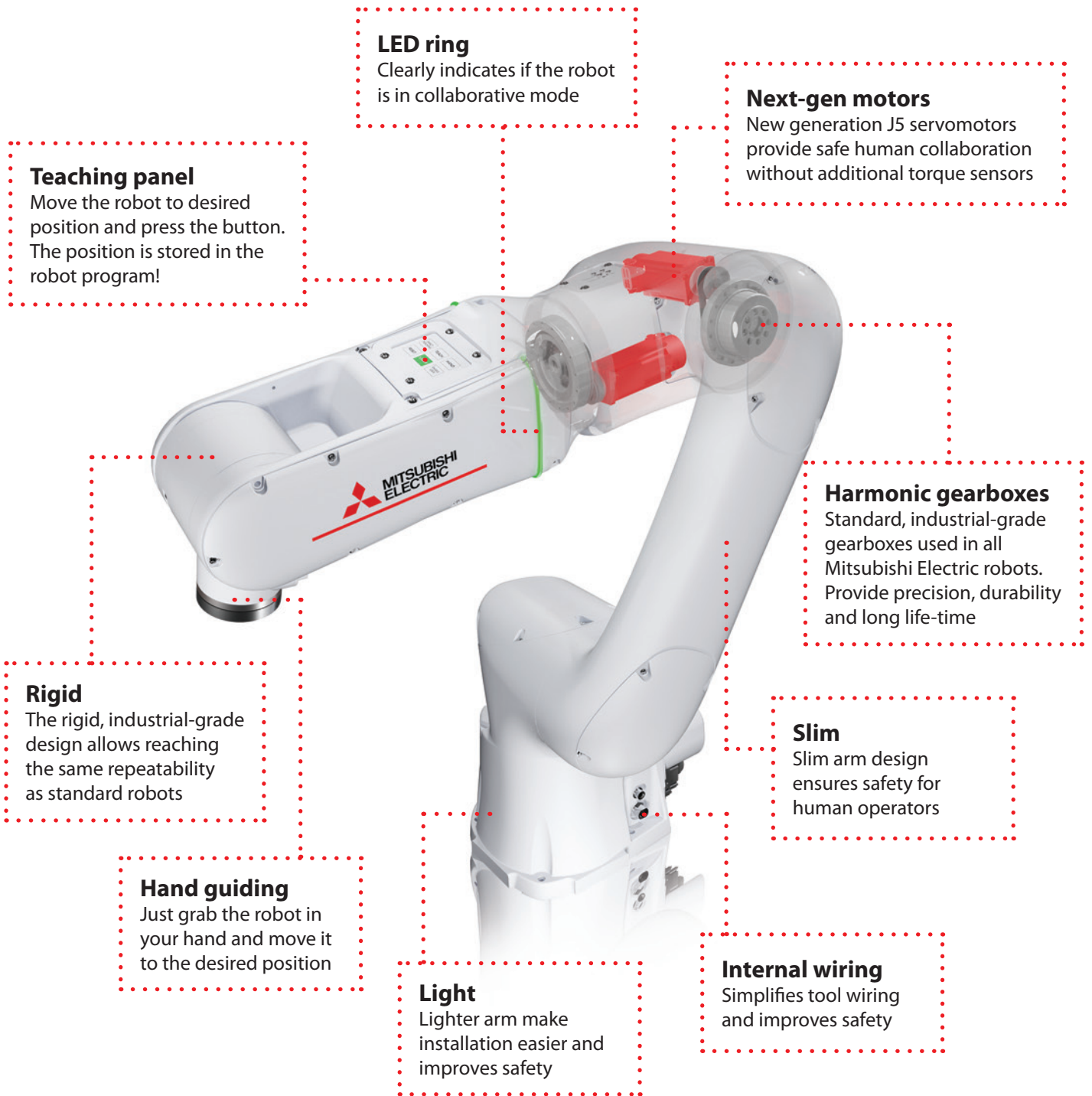




**TRULY INDUSTRIAL  
TRULY COLLABORATIVE**

**MELFA**

**assista**



## Truly industrial collaborative robot

- Industrial grade design
- Standard robot's lifetime
- Certified by TÜV
- Compatible with standard industrial equipment
- Easy to program



## Industrial design

The arm is based on our 40-years experience in the design of industrial robots. Most of the used solutions are the same as in a standard, industrial robot. It gives high **rigidity** and **repeatability** – keeps high quality of your production and allows tasks that require high precision. Another advantage is a **long life-time** – the same as our other robots, working even above 10 years. All of that enhanced by **preventive, predictive** and **remote** maintenance functions.

## Safety

Speed, position and force are safely limited. Compliance with ISO 10218-1 and **ISO/TS 15066** documents is confirmed by **TÜV certificate**. Maximum forces generated by the arm are within ranges defined by ISO/TS 15066. All of that without additional force or torque sensors – thanks to our **next-gen J5 servomotors**. You can also connect safety devices to detect if nobody is around and operate then with higher, not collaborative speed.

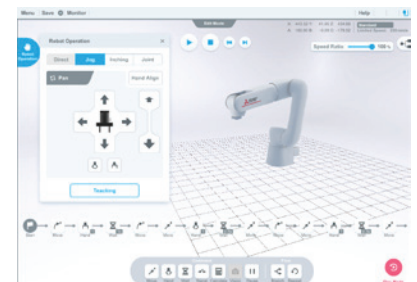


## Integration

Assista is powered by compact **CR800 controller** - the same that is used for all other Mitsubishi Electric's robots. There is no difference in wiring, operation and programming. Mix collaborative and standard robots, use full-spectrum of included features, easily integrate with Mitsubishi Electric's **PLC, HMI, servomotor, CNC** and utilise a variety of industrial networks, like **CC-Link IE Field**, Profinet, EtherNet/IP or EtherCAT.

## Programming

For simple tasks, we've prepared an intuitive, touch-enabled, graphical programming tool – **RT VisualBox**. Build your programs with simple **blocks**, without programming knowledge. Utilise step-by-step graphical **wizards** for setting all necessary parameters. For more complex tasks, you can program Assista using RT ToolBox3 – exactly the same way like our other robots.



## Hand guiding

Simply **grasp** the arm and **move it** to the desired position. Then press the single button on the **teaching panel** on the arm. That's all! The position is added to the robot program.

## Build-in functionalities

Easily attach compatible **collaborative grippers**. Connect 2D or 3D **vision systems** to enhance your application. Utilise conveyor **tracking** function to pick objects in motion. All of that as standard, **build-in** functionalities of Assista.



## Technical data

### RV-5AS-D (502852)

<b>Type</b>	Vertical 6-axis	
<b>Payload</b>	5 kg	
<b>Reach</b>	910 mm	
<b>Repeatability</b>	±0.03 mm	
<b>Maximum speed</b>	1000 mm/s	
<b>Installation</b>	Floor, hanging	
<b>Protection level</b>	IP54, ISO5	
<b>Grease</b>	standard/food	
<b>Weight</b>	32 kg	
<b>Safety</b>	Cat. 3, PL d	
<b>Certification</b>	TÜV: ISO 10218-1, ISO/TS 15066	
<b>Safety I/O</b>	8 inputs / 4 outputs	
<b>Internal wiring</b>	<b>I/O</b>	8 inputs / 8 outputs + 4 spare wires
	<b>LAN</b>	x1 Cat. 5e
	<b>Air</b>	φ4 x 4
<b>Power supply</b>	AC 200-230V, single phase	

### Included



**Robot arm**

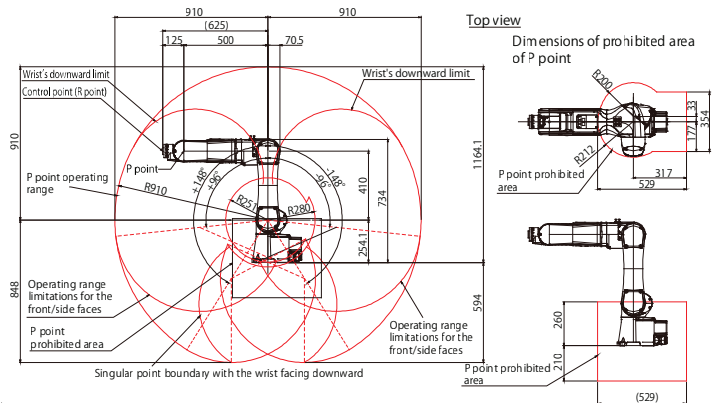
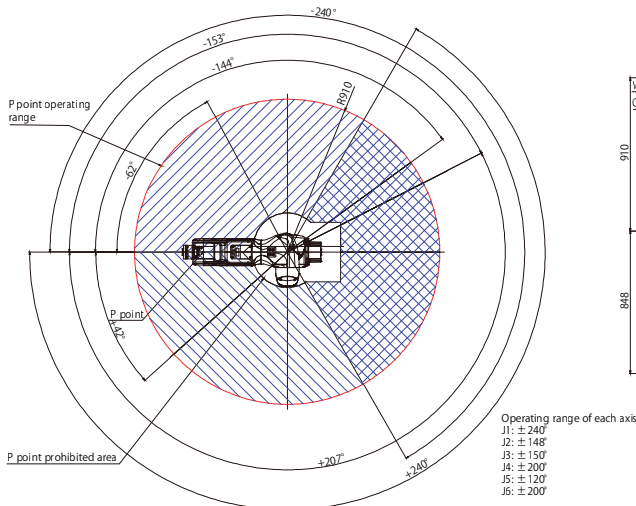
**Machine cable (5m)**



**Controller**



**Safety I/O unit**



## Options

Article	Name	Model	Specification
250471	Solenoid valve set	1F-VD02E-01	2x source type 2/5 pneumatic valves
218854	Teach pendant	R56TB	Standard teach pendant with 6.5" touch screen, 7m cable
218862	Digital I/O interface	2D-TZ378	Source type, 32 inputs / 32 outputs
218857	Digital I/O cable	2D-CBL05	16 inputs / 16 outputs, 5m, one end of the cable is loose
324560	CC-Link IE Field interface	2F-DQ535-CCIEF-SET	
413963	EtherCAT interface	2F-DQ535-ECT-SET	
282409	EtherNet/IP interface	2D-TZ535-EIP-SET	
269546	Profinet interface	2D-TZ535-PN-SET	
313064	Force sensor	4F-FS002H-W200	200N force sensor for installation on the robot flange
324579	Standard software	RT ToolBox3	Standard programming and simulation software
503386	Visual software	RT VisualBox	Visual programming and simulation software
503387	Standard + visual software	RT ToolBox3 + RT VisualBox	Standard + visual programming and simulation software package

**Global Partner.  
Local Friend.**

**Interested? Contact us!**

+48-12-630-47-00 @ [mpl@mpl.mee.com](mailto:mpl@mpl.mee.com)